



Clock Radio with Dock for iPod *CI188B* INSTRUCTION MANUAL



Warnings and Precautions

TO PREVENT FIRE OR SHOCK HAZARDS, DO NOT EXPOSE THIS UNIT TO RAIN OR MOISTURE.



This symbol, located on back or bottom of the unit, is intended to alert the user to the presence of uninsulated “dangerous voltage” within the product’s enclosure that may be of sufficient magnitude to constitute a risk of electric shock to persons.



This symbol, located on back or bottom of the unit, is intended to alert the user to the presence of important operating and maintenance (servicing) instructions in the literature accompanying the appliance.

CAUTION: TO PREVENT ELECTRIC SHOCK, MATCH WIDE BLADE OF PLUG TO WIDE SLOT, FULLY INSERT.

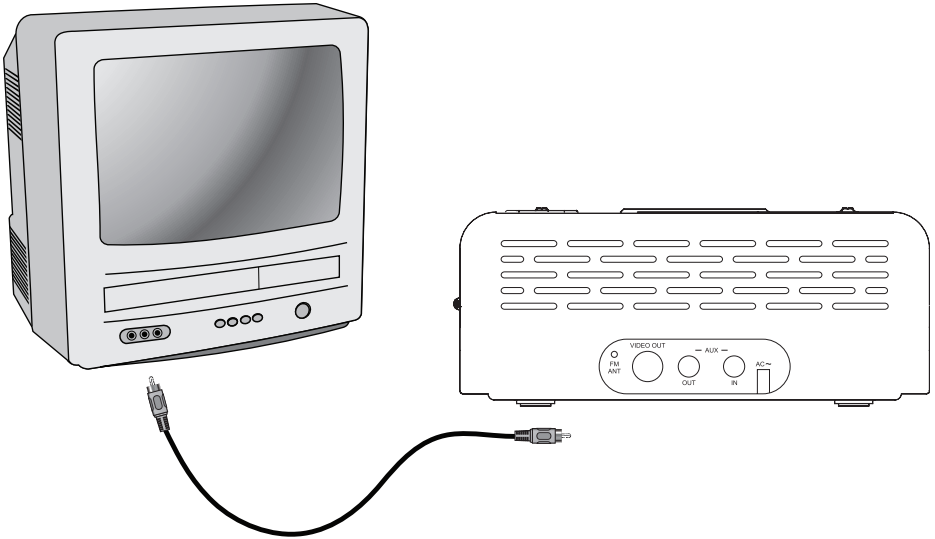
To reduce the risk of electric shock, do not remove cover (or back). There are no user-serviceable parts inside. Please refer any servicing to qualified service personnel.

WARNING: Changes or modifications to this unit not expressly approved by the party responsible for compliance could void the user’s authority to operate the equipment.

NOTE: This equipment has been tested and found to comply with the limits for a Class B digital device, pursuant to Part 15 of the FCC Rules. These limits are designed to provide reasonable protection against harmful interference in a residential installation. This equipment generates, uses, and can radiate radio frequency energy and, if not installed and used in accordance with the instructions, may cause harmful interference to radio communications. However, there is no guarantee that interference will not occur in a particular installation. If this equipment does cause harmful interference to radio or television reception, which can be determined by turning the equipment off and on, the user is encouraged to try to correct the interference by one or more of the following measures:

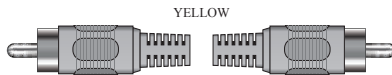
- Reorient or relocate the receiving antenna.
- Increase the separation between the equipment and receiver.
- Connect the equipment into an outlet on a circuit different from that to which the receiver is connected.
- Consult the dealer or an experienced radio/TV technician for help.

Quick Start Connection Guide



To Television

Connect to the video input connection.

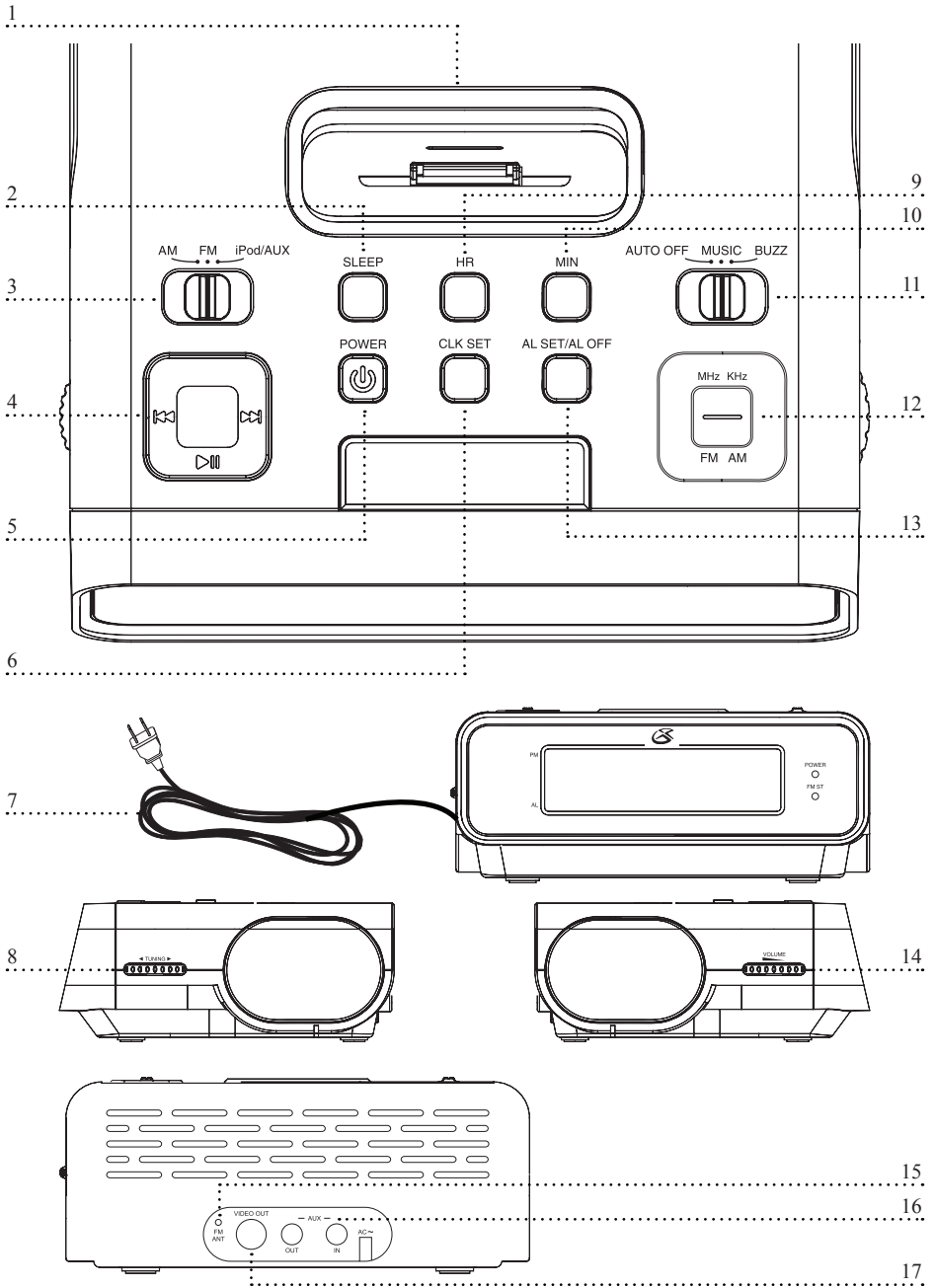


From Unit

Connect to the video output connection.

-
- To watch an iPod through the TV, select, on the iPod, either *Slideshow Settings in Photos*, or *Video Settings in Videos*. Then set the *TV Out* setting to *On*.
 - Be sure to select the appropriate *Video Input* on the Television set.
-

Features



Features Defined

- 1 **DOCK FOR IPOD** Using the included inserts, comfortably dock an iPod, iPod with color display, iPod with video, iPod mini, or iPod nano (2G). This connection will charge an iPod and allow it to be played through the systems speakers.
- 2 **SLEEP** Press and hold the SLEEP button, then press the HR and MIN button to set the sleep timer.
- 3 **AM/FM/IPOD/AUX** Use the Function toggle, to switch between AM, FM, and iPod/AUX modes.
- 4 **SKIP/SEARCH/PLAY/PAUSE** Press the SKIP/SEARCH buttons to skip through tracks on an iPod or press and hold to search through individual tracks. Press the PLAY/PAUSE button to play and pause an iPod.
- 5 **POWER** Press the POWER button to turn the unit off and on.
- 6 **CLK SET** Press and hold the CLK SET button, then press the HR and MIN buttons to set the clock.
- 7 **AC CORD** Plug the attached AC Cord into a standard outlet to power the unit.
- 8 **TUNING** Turn the TUNING dial to adjust the AM and FM radio frequency.
- 9 **HR** Press the HR button to change the hour when setting the clock, alarm, and sleep timer.
- 10 **MIN** Press the MIN button to change the minute when setting the clock, alarm, and sleep timer.
- 11 **AUTO OFF/MUSIC/BUZZ** Use the AUTO OFF/MUSIC/BUZZ toggle to select an alarm mode for the unit to wake to.
- 12 **FREQUENCY INDICATOR** The frequency indicator displays the current AM or FM radio station.
- 13 **AL SET/AL OFF** Press and hold the AL SET button, then press the HR and MIN buttons to set the alarm. After the alarm sounds, press the AL OFF button to turn the alarm off for the day.
- 14 **VOLUME** Turn the VOLUME dial to increase or decrease the volume of the unit.
- 15 **FM ANTENNA** The FM Antenna can be adjusted to improve the FM radio reception.
- 16 **AUX IN/OUT** The AUX IN port can be used to connect external audio devices to the unit. The AUX OUT port can be used to connect the unit to an external audio/video system, and have the unit play audio through the external audio systems speakers.
- 17 **Video Out** Connect the Video Output to the video input on the TV using a standard RCA video cable (not included).
 - *To display iPod video or photographs, see the Operations section.*

iPod Inserts

Model	#	iPod Capacity
iPod mini	3	4GB, and 6GB
iPod (fourth generation)	4	20GB, and U2 Special Edition
	5	40GB
iPod with color display	6	20GB, 30GB, and U2 Special Edition
	7	40GB
iPod nano	8	1GB, 2GB, and 4GB
	9	30GB
iPod with video (fifth generation)	10	60GB, and 80GB
	11	2GB, 4GB, and 8GB

Operations

Setting the Clock

- a. With the unit powered off or on, press and hold the CLK SET button.
- b. While holding the CLK SET button, press the HR button to increase the hour, and the MIN button to increase the minute.
- c. When the desired time is set, release the CLK SET button.

Setting the Alarm

- a. With the unit powered off or on, press and hold the ALM SET button.
- b. While holding the ALM SET button, press the HR button to increase the hour, and the MIN button to increase the minute.
- c. When the desired alarm time is set, release the ALM SET button.
- d. Toggle the AUTO OFF/MUSIC/BUZZ switch to the desired alarm source.
 - *After the alarm sounds, press the SNOOZE button to delay the alarm for an additional 9 minutes, or press the AL OFF button to turn the alarm off for that day.*

Setting the Sleep Timer

- a. With the unit powered on, press and hold the SLEEP button.
- b. While holding the SLEEP button, press the HR button to increase the hour, and the MIN button to decrease the minute.
- c. When the desired sleep time is set, release the SLEEP button.
 - *The unit will automatically turn off after the allotted amount of time has expired.*

Operations

Viewing Video or Photos from your iPod on an External Device

- a. Connect a composite video cable from the player's video out connection to a composite video input connection on a TV. (composite video cable not included)
- b. Insert your iPod Video into the player and navigate to either the Photos or Videos on the iPod.
- c. On the iPod, select either Slideshow Settings under the Photos section, or Video Settings under the Videos section.
- d. On the iPod, set the TV Out setting to On.
- e. Move the AM/FM/iPod/AUX toggle switch to iPod/AUX.
- f. Make sure your TV is set to the proper input. You will now be able to control your iPod from the player's control panel, and view your iPod on a TV.

Connecting other Digital Audio Devices

- a. Connect an audio device to the AUX input.
- b. Press the FUNCTION button to set the unit to AUX mode, as indicated by the LCD Display.
- c. The audio device will now play through the speakers of the player.

Connecting an External Audio System

- a. Connect an external audio/video system to the unit's Audio Output connections using a standard RCA cord.
- b. The unit will now play through the connected external audio/video system, as well as the unit's included speakers.



Service Information

Address 2116 Carr Street, St. Louis MO, 63106

Phone 1-314-621-2881

Fax 1-314-588-1805

Email prodinfo@gpx.com

Website www.gpx.com

To download this Instruction Manual in English, Spanish, or French visit the Support section at www.gpx.com.

Para descargar este manual de instrucción en inglés, español, o francés visite la sección de la ayuda en www.gpx.com.

Pour télécharger ce manuel d'instruction en anglais, espagnol, ou le Français visitez la section de soutien à www.gpx.com.
